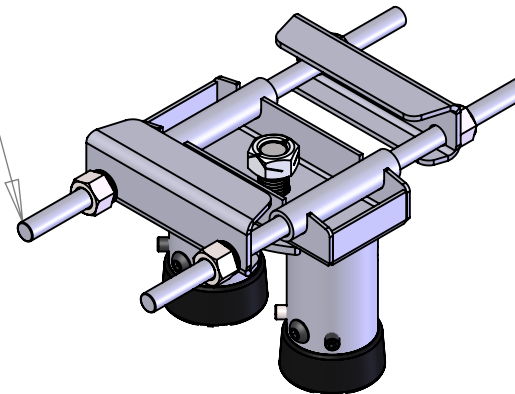


TRUE R7



Description		GC25TVS Girder Clamp Twin Socket Swivel 110 centres		
UNLESS OTHERWISE SPECIFIED: DIMENSIONS ARE IN MILLIMETERS	Created By System Administrator	Saved Date: 23 August 2021 Created Date: 23 August 2021 Bend Tool:	DRW - REV REV - A-008	See Below - Special Notes
	Unicol Engineering Green Road Oxford OX3 8EU	Material:		
SURFACE FINISH: Powder Coated	Gauge:	Part Number & Part Revision Ass--20002068 REV - A-008		
	WEIGHT: 4.52	Kg	SCALE:1:5	DO NOT SCALE DRAWING SHEET 1 OF 1