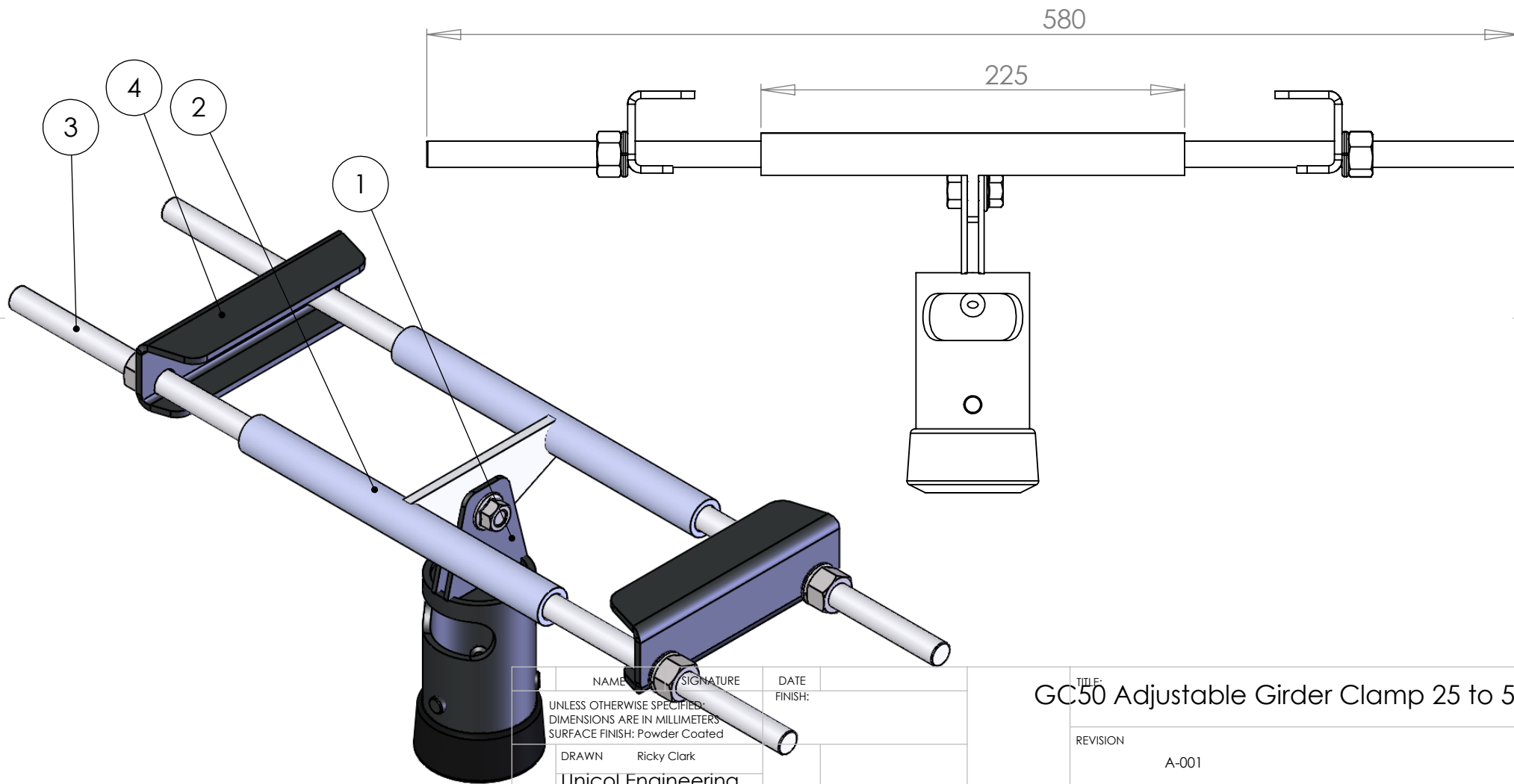


ITEM NO.	PART NUMBER	DESCRIPTION	AltPosition_Default 1/QTY.
1	Ass--20001437	CP6 Tilting Socket	1
2	Ass--20003343	GC50 Tilt Assembly	1
3	14Dia X580Length	Variable Studding	2
4	Par--20003485	GC25 Channel Arm	2



NAME:	SIGNATURE:	DATE:
UNLESS OTHERWISE SPECIFIED: DIMENSIONS ARE IN MILLIMETERS SURFACE FINISH: Powder Coated		FINISH:
DRAWN: Ricky Clark		
Unicol Engineering Green Road Headington Oxford OX3 8EU		MATERIAL:
		10/04/07

TITLE:  
GC50 Adjustable Girder Clamp 25 to 50cm

REVISION	A-001
DWG NO.	Ass--20003342
	A4