

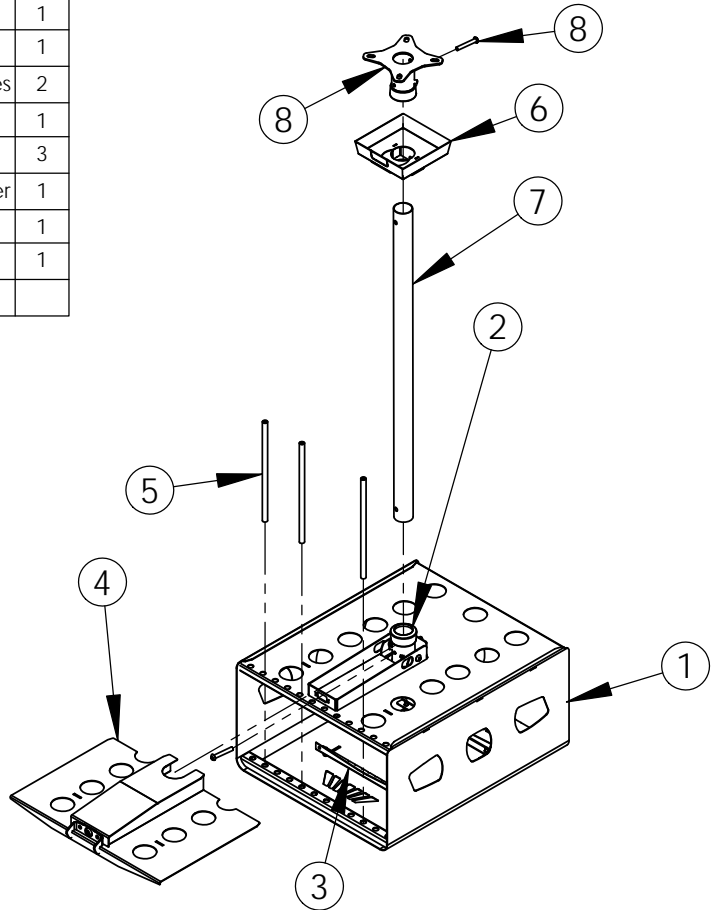
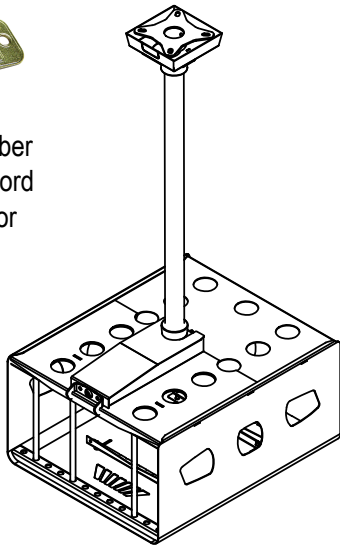
### INSTALLATION INSTRUCTIONS

Parts List

ITEM NO.	PART NUMBER	Description	QTY.
1	Ass--20002391	PGG 56(W) X 62(D) X 25(H)	1
2	Ass--20002135	PG Swivel Tilt Assembly	1
3	Ass--20002410	PGG Projector Jacking Support 300 Centres	2
4	Ass--20002411	PGG Lock Slider Plate	1
5	Ass--20003160	PG 32cm Height Security Bar	3
6	Ass--20001495	CPSC1 Locking Ceiling Plate Security Cover	1
7	-	Column	1
8	Ass--20001506	CP1 Ceiling Plate 16cm x 16cm	1
9	-	Safety Through Bolt	



Note: There is no identification number on the lock so record number on keys for replacement



1. Fix Ceiling Plate (8) in desired location.
2. Place column (7) in Ceiling Plate (8) and secure with safety through bolt (8).
3. Slide up Locking Ceiling Plate Cover (6) and locate in place.
4. Fit Projector Cage (1) to bottom end of column (7) and secure using safety through bolt.
5. Place inverted projector inside cage so that it rests on adjustable rails (3).
6. Drop in Security bars (5) and locate top and bottom.
7. Slide in Lock Slider Plate (4) and lock in place.

#### Inspect the unit before installing

**Warning:** Watch for pinch points. Do not put your fingers between moveable parts. Do not tamper with or dis-assemble any spring loaded items.

1. Carefully inspect the unit for shipping damage. If any damages apparent, call Unicol on number below.
2. Lay out components to ensure you have all the required parts before proceeding.

**Caution:** To prevent damage to the unit, study all instructions and illustrations before you begin the installation. Failure to do so could render the warranty for the unit and the equipment that attaches to it null and void. Pay particular attention to the "warnings" displayed in these instructions.

We recommend installation by a qualified tradesperson. If you have any questions about the installation, contact Unicol, (uk +44 (0) 1865 767676) (europe +49 (0) 9131 9405 8013).