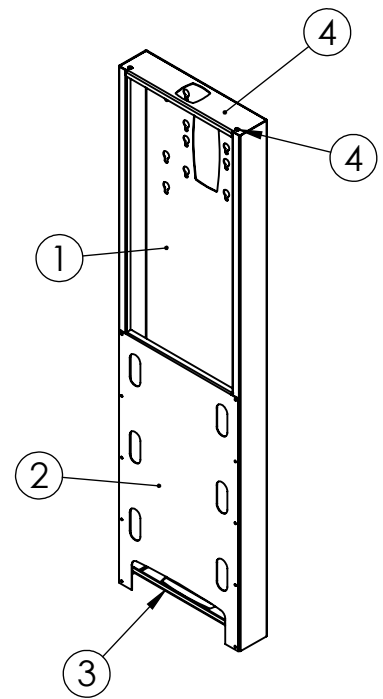
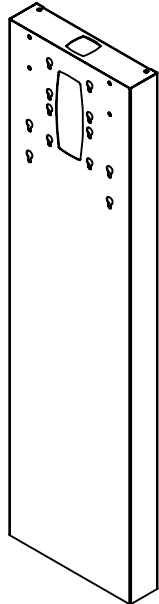
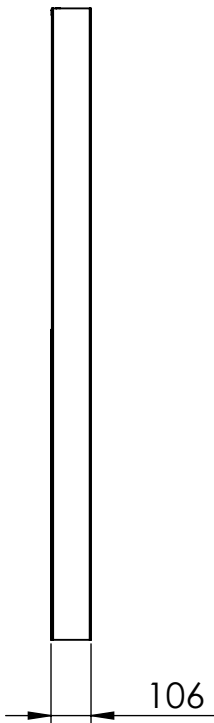
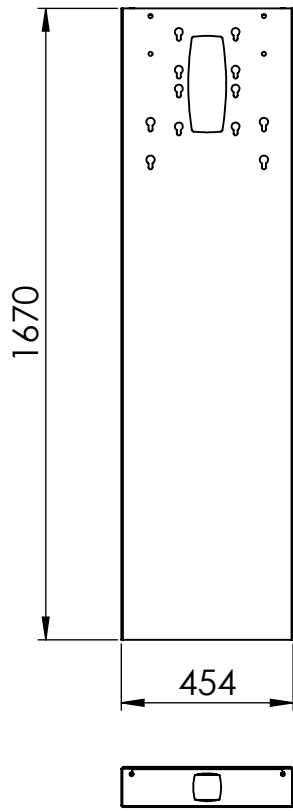


BOM Table			
NO	Part Number	Description	QTY.
1	Par--20038957	RFWS Wall Fixing Plate	1
2	Ass--20025820	Rhobus Mast Floor To Wall	1
3	Ass--20025790	RFWS Floor Fixing Plate	1
4	-	M6 x 16mm Socket Button Head Machine Screw	2

Description		RfwsH - Rhobus Floor To Wall Mast	
UNLESS OTHERWISE SPECIFIED: DIMENSIONS ARE IN MILLIMETERS	Mod Date	22/07/2016	REVISION A-010
	Drawn Date:	04/05/2016	
SURFACE FINISH: Powder Coated		See Below - Fixings Required	
DRAWN Andrew Griffiths Unicol Engineering Green Road Oxford OX3 8EU	Material	DWG NO. RFWSH	
	Gauge		
WEIGHT: 28.15		Kg	A4

Bend Tool



BOM Table			
NO	Part Number	Description	QTY.
1	Par--20038931	Rhobus Mast + 220 Floor To Wall	1
2	Par--20038956	Rhobus Back Panel Lower Floor To Wall	1
3	Par--20038933	Rhobus Mast Base Plt Floor To Wall	1
4	Par--20038955	Robus Mast Cap Plt Floor To Wall	1
5	Par--20003291	Hex RivNut Variable	2

Description		Rhobus Mast Floor To Wall	
UNLESS OTHERWISE SPECIFIED: DIMENSIONS ARE IN MILLIMETERS	Mod Date	22/07/2016	REVISION A-010
	Drawn Date:	27/04/2016	
SURFACE FINISH: Powder Coated		See Below - Fixings Required	
DRAWN Andrew Griffiths	Material	DWG NO. Ass--20025820	
	Gauge		
Unicol Engineering Green Road Oxford OX3 8EU		A4	

Bend Tool