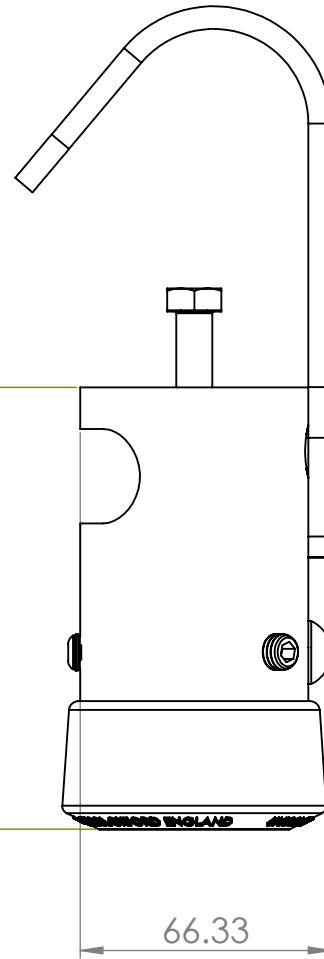
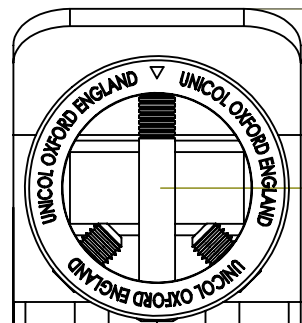
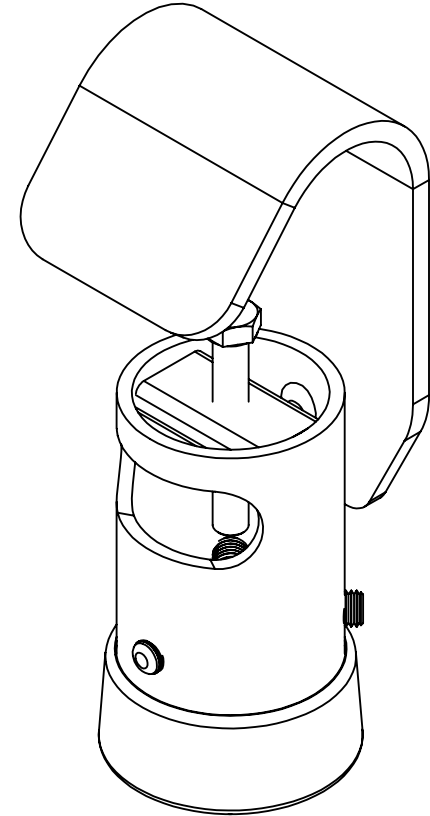


76



116.84

66.33



47.38

83.54

Description		TM05 Tube Clamp Mount	
UNLESS OTHERWISE SPECIFIED: DIMENSIONS ARE IN MILLIMETERS	Created By System Administrator	Unicol Engineering Green Road Oxford OX3 8EU	Material:
	SURFACE FINISH: Powder Coated		Gauge:
Saved Date: 07 February 2022 Created Date: 23 August 2021 Bend Tool:		DRW - REV <b>REV - A-005</b>	See Below - Special Notes
Part Number & Part Revision		<b>Ass--20001727 REV - A-005</b>	

WEIGHT: 1.48

Kg

SCALE:1:2

DO NOT SCALE DRAWING

SHEET 1 OF 1