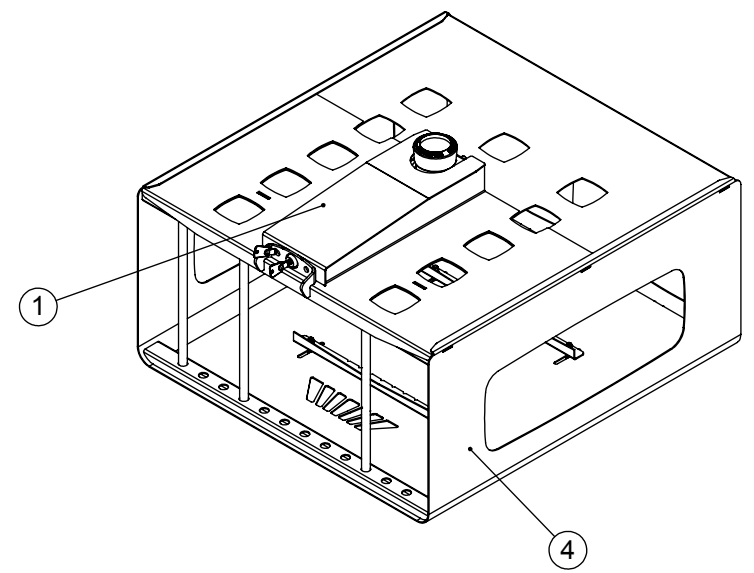
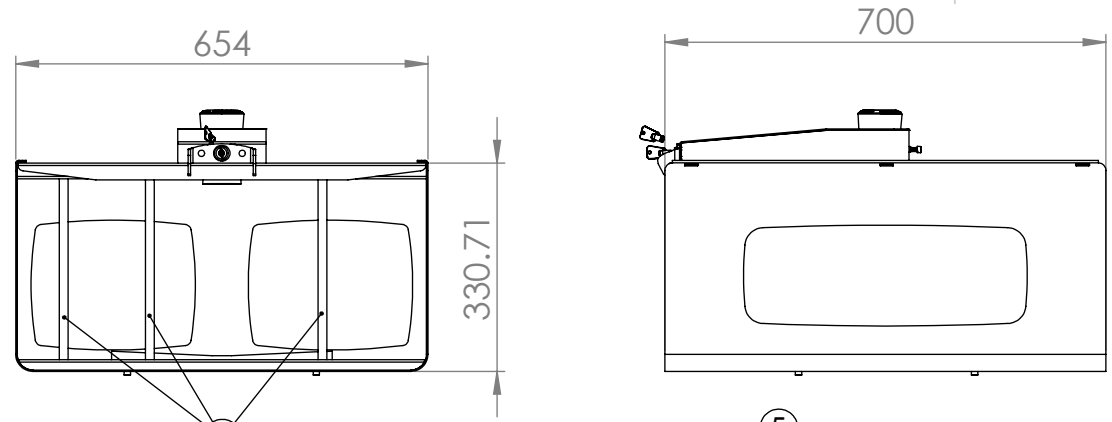


1 2 3 4 5 6

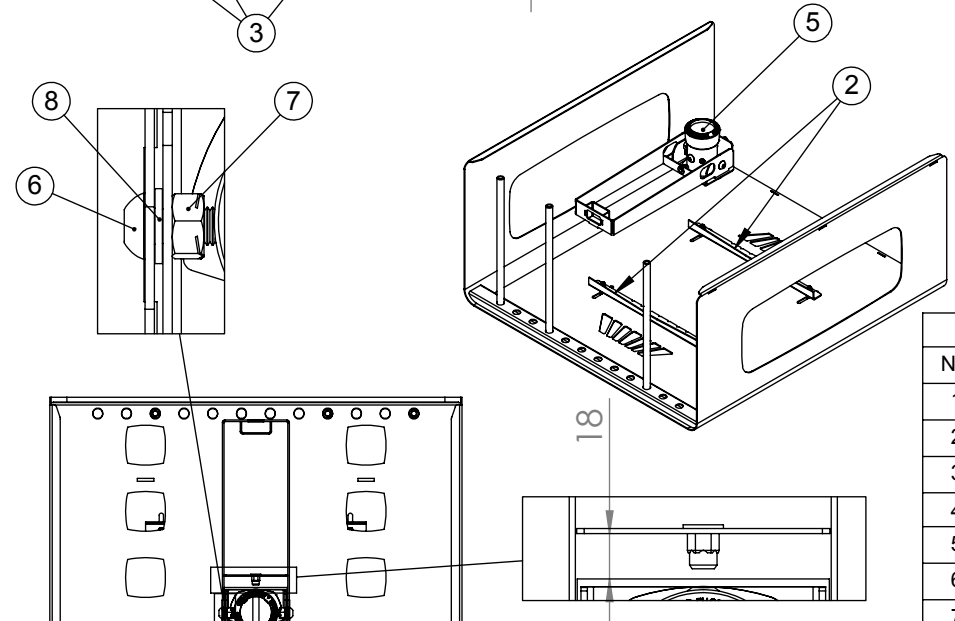
A

A



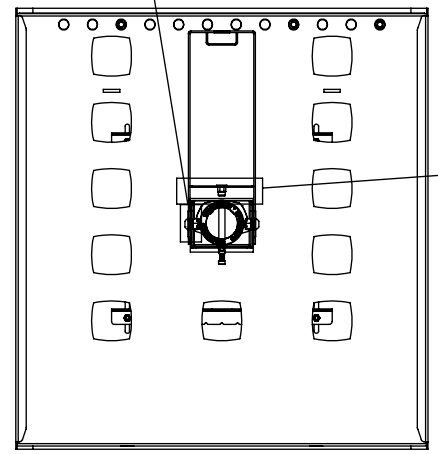
B

B



C

C



D

D

BOM Table

NO	Part Number	Description	QTY.
1	ASS--20055761	700mm wide Guard box slider assembly	1
2	Ass--20002410	PGG Projector Jacking Support 300 Centres	2
3	Ass--20003160	PGB 32cm Height Security Bar assembly	3
4	ASS--20059812	Guardbox 700x650x325mm	1
5	Ass--20002135	PG Swivel Tilt Assembly	1
6	BH-MET-10X20-HT-BO	Button Head Screw M10 X 20 (High Tensile Black Oxide)	2
7	BN-MET-10-HT-CZN	Binx Nut M10 (High Tensile Bright Zinc Plated Clear Passivated)	2
8	FW-MET-10-HT-CZN	Flat Washer M10 (High Tensile Bright Zinc Plated Clear Passivated)	2

Description Guardbox 700x650x325mm

UNLESS OTHERWISE SPECIFIED:
DIMENSIONS ARE IN MILLIMETERS

SURFACE FINISH: Powder Coated

Created By Tim Smith

Unicol Engineering
Green Road
Oxford OX3 8EU

Saved Date: 11 April 2023
Created Date: 11 April 2023
Bend Tool:

Material:

Gauge:

DRW - REV
REV - A-001

See Below - Special Notes

Part Number & Part Revision

ASS--20055760 REV - A-001