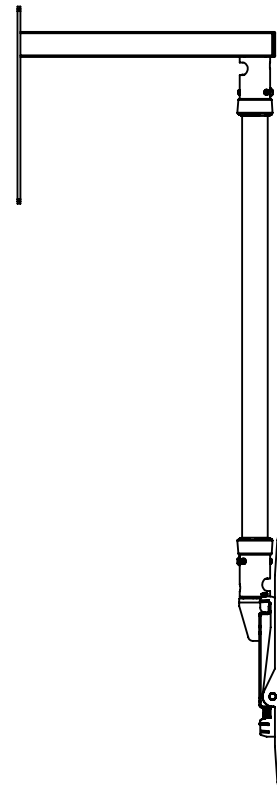
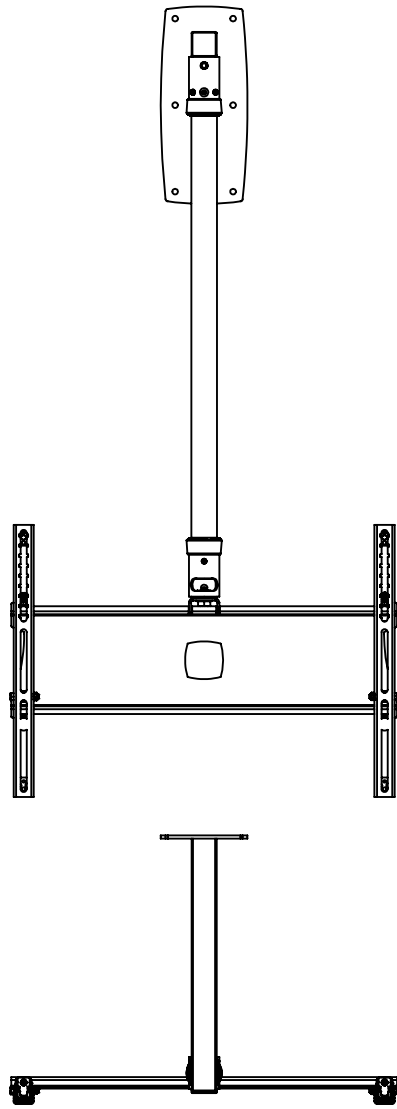


1 2

Fixings Supplied

3 4

Universal Fixing Kit



Description		Kp110wb - Kp1 - 100Cm Column - Wb2	
UNLESS OTHERWISE SPECIFIED: DIMENSIONS ARE IN MILLIMETERS		Saved Date: 07 February 2022 Created Date: 07 February 2022 Bend Tool:	DRW - REV REV - A-003
SURFACE FINISH: Powder Coated		Material:	
Created By System Administrator Unicol Engineering Green Road Oxford OX3 8EU		Gauge:	Part Number & Part Revision Ass--20017643 REV - A-003
WEIGHT: 14.98		Kg	

See Below - Special Notes

Part Number & Part Revision

Ass--20017643 REV - A-003