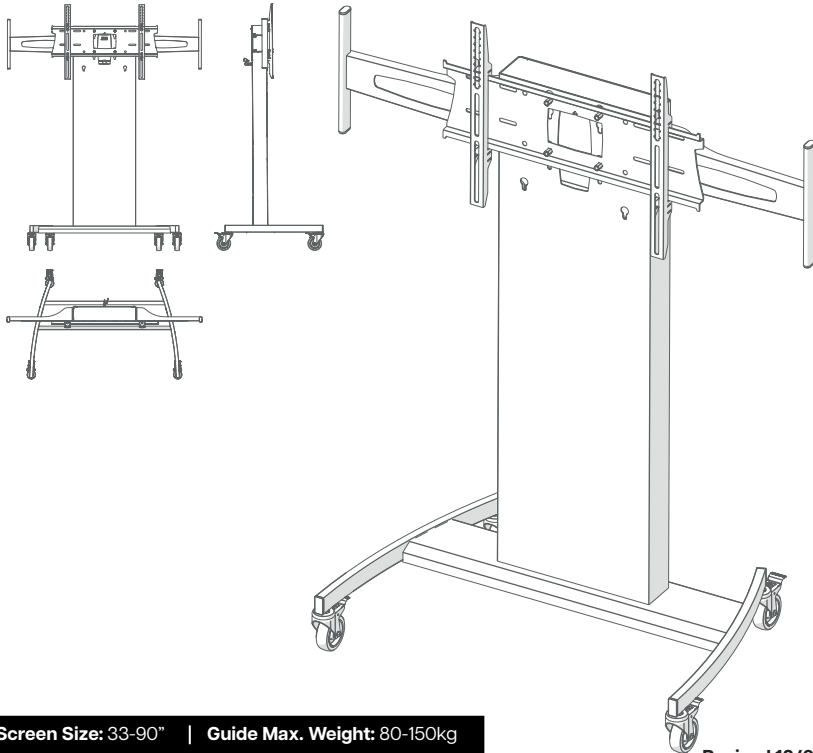




NST1 / NST2



Screen Size: 33-90" | **Guide Max. Weight:** 80-150kg

Please check model specific details before installing

Revised 12/04/24

WARNING

Please carefully inspect the product before assembling. If you notice any apparent damage, call your carrier claims agent and do not continue the installation until it has been reviewed. Please watch for pinch points. Do not put your fingers between moveable parts. Do not tamper with or disassemble any spring loaded parts. Before installing, make sure that the supporting surface will support five times the combined load of the solution and the hardware. Never exceed the maximum load capacity. Please also layout all components to ensure that you have all of the required parts before proceeding (see BOM list on following page). Use of this product for anything other than its specified use may result in failure or personal injury. This product is intended for indoor use only. We recommend using a qualified trades person for installation. Use an assistant or lifting equipment to lift and position products.

For support, please call: +44 (0)1865 767676 or email: sales@unicol.com

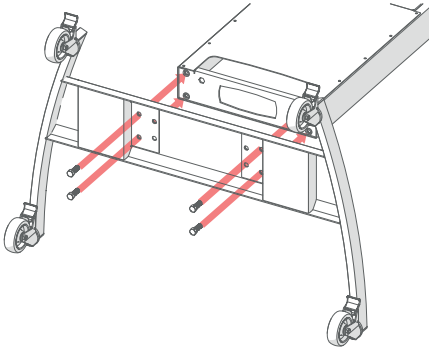


#	TOOLS REQUIRED
1	Pozi Head Screwdriver
2	5mm Allen Key
3	4mm Allen Key
4	19mm Spanner
5	17mm Spanner

INSTALLERS REQUIRED
1-2

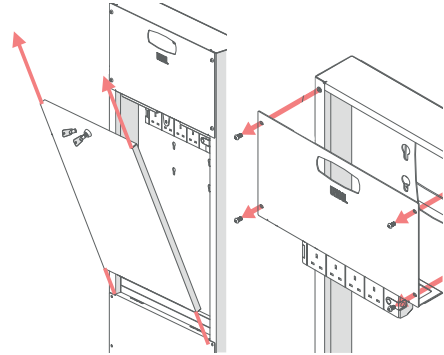
COMPONENTS

#	DESCRIPTION	QTY
1	Standard Rhobus Base	1
2	Universal Mount Back Plate	1
3	Universal Mount Arms	2
4	Rhobus Mast (inc. cabinet door)	1
5	Manoeuvrability Handle	2
6	Security Key	2



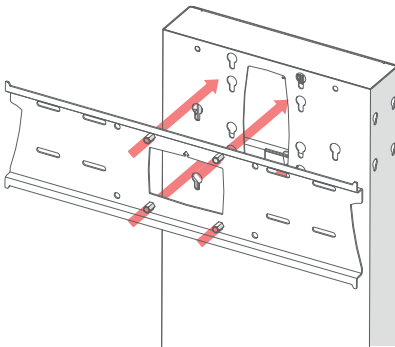
STEP 1

Laying the mast on a flat surface, offer the base up and attach as shown above. All castors should already be pre-fixed to the base.



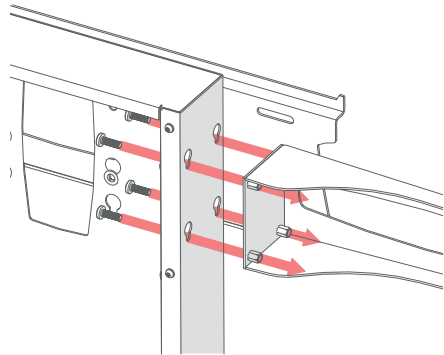
STEP 2

Unlock and lift out rear door. Remove upper rear panel by unscrewing 4x M6 screws.



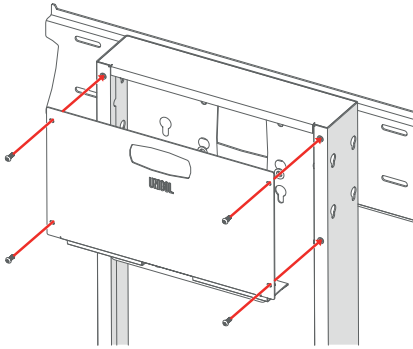
STEP 3

Place 2x screws loosely in bottom two rivnuts of the back plate from rear. Slot into chosen keyholes in mast. From the rear, screw in top two screws into the back plate and fully tighten all four screws.



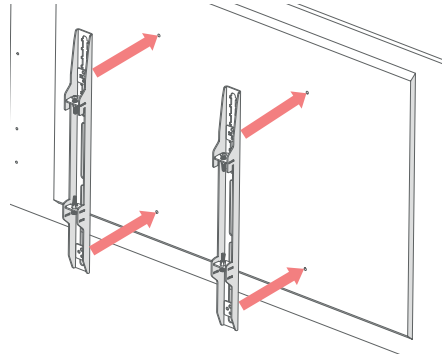
STEP 4

Secure the manoeuvrability handles onto the side of the mast. From the rear screw into the keyhole slots and fully tighten. Repeat on the other side.



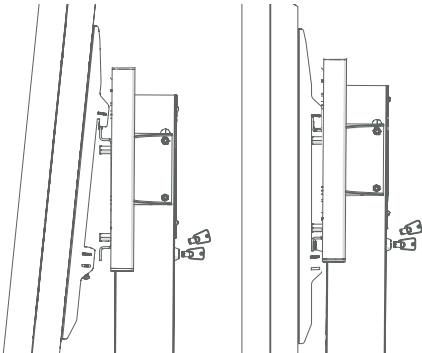
STEP 5

Feed cables for screen through hole in backplate and front of mast and down through cable access. Refit rear top panel using x4 M6 screws. Refit rear top panel door and lock.



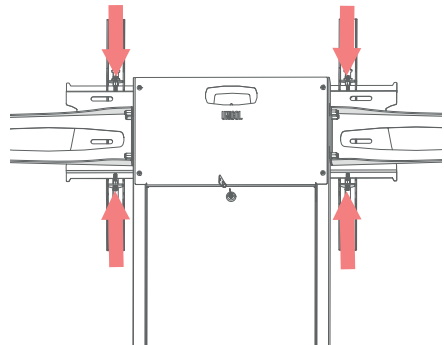
STEP 6

Locate the mounting holes on the back of your screen. Line the two mounting arms up and using the taglocks/two part spacers provided and the manufacturer recommended screws (not included), attach the arms to the back of the screen.



STEP 7

Line the screen and arms up with the secured back plate and offer it up at a slight angle - allowing the top of the arms to hook over the lip of the back plate.



STEP 8

Gently lower the screen until the arms are securely hanging on top of the back plate. Once centered, adjust the level of the screen with the two top screws on the mount arms. Once levelled secure the screen by tightening the bottom two screws.