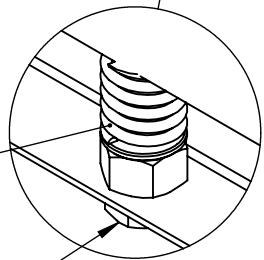
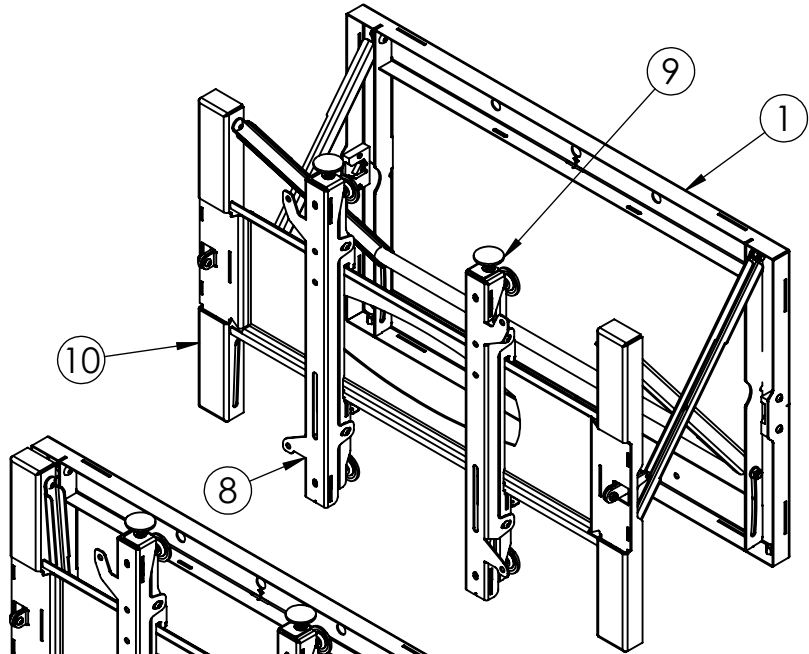


Description		Vwp1 - Pull Push Video Wall Unit 300 to 600 Vesa 40 - 70inch	
UNLESS OTHERWISE SPECIFIED: DIMENSIONS ARE IN MILLIMETERS		Saved Date: 16 September 2022 Created Date: 04 February 2022 Bend Tool:	DRW - REV REV - A-086
SURFACE FINISH: Powder Coated		Material:	
Created By System Administrator Unicol Engineering Green Road Oxford OX3 8EU		Gauge:	See Below - Special Notes M6 X 16 Pozi 4 off , M8 X 16 Pozi 4 off, Plus 2 Additional Lifter handwheels 40mm Part Number & Part Revision Ass--20015776 REV - A-086
WEIGHT: 14.53		Kg	SCALE:1:10 DO NOT SCALE DRAWING SHEET 1 OF 2



BOM Table			
NO	Part Number	Description	QTY.
1	Ass--20015767	Vwp1 - Wall Plate	1
2	HMS-MET-12X35-HT-BO	Hex Machine Screw M12 X 35 (High Tensile Black Oxide)	1
3	Ass--20016126	Spring Ass For Pop Out Video Wall	1
4	Ass--20015769	Vwp1 - Bottom Scissor Frame	1
5	Par--20025527	Scissor Arm	2
6	FW-MET-8-HT-CZN	Flat Washer M8 (High Tensile Bright Zinc Plated Clear Passivated)	20
7	BH-MET-8X20-HT-BO	Button Head Screw M8 X 20 (High Tensile Black Oxide)	7
8	Ass--20017471	Video Wall Arm 200 - 300 - 400 Extension Tabs Left	1
9	Ass--20017472	Video Wall Arm 200 - 300 - 400 Extension Tabs Right	1
10	Ass--20015670	Vwp1 Front Slider Arms Support	1
11	Par--20017909	Nylon Bush 5.25 X 10 X 10	2
12	BN-MET-8-HT-CZN	Binx Nut M8 (High Tensile Bright Zinc Plated Clear Passivated)	9
13	BH-MET-8X20-HT-CZN	Button Head Screw M8 X 20 (High Tensile Bright Zinc Plated Clear Passivated)	2

Description		Vwp1 - Pull Push Video Wall Unit 300 to 600 Vesa 40 - 70inch	
UNLESS OTHERWISE SPECIFIED: DIMENSIONS ARE IN MILLIMETERS	Created By System Administrator	UNICO ENGINEERING Green Road Oxford OX3 8EU	DRW - REV REV - A-086
	SURFACE FINISH: Powder Coated		
Created By System Administrator		UNICO ENGINEERING Green Road Oxford OX3 8EU	Part Number & Part Revision Ass--20015776 REV - A-086
UNLESS OTHERWISE SPECIFIED: DIMENSIONS ARE IN MILLIMETERS		SURFACE FINISH: Powder Coated	
Created By System Administrator		UNICO ENGINEERING Green Road Oxford OX3 8EU	